

# UNIQUE KITCHENS & BATHS

COLLABORATIONS



WEETH HOME

Custom Cabinetry  
TIMELESS COASTAL





*Our studio sits just a few blocks from the ocean in Rehoboth Beach, so the coast is very much an influence for our designs. There are houses here that have evolved over generations, rooted in traditional bones that get better with age, and have served as joyful gathering places for families. I wanted to create a collection that captured the relaxed coastal feeling no matter where you are, while incorporating polished details that could enhance and elevate gathering spaces in your home.*

**JESS WEETH**  
OWNER & PRINCIPAL DESIGNER OF WEETH HOME



# The Specs

---

## ABOUT THE COLLECTION

Inspired by the hues of the East Coast, was designed to be combined and layered for rich, textured design. Nuanced colors and perfect sandy wood stains allow for depth and dimension when paired together.

Our collection features a fresh twist on timeless door styles, with unique details designed to fit polished and laid-back aesthetics alike. Care and attention was paid to the proportions and profiles while details such as rattan and reeding lend to the coastal character of this collection.

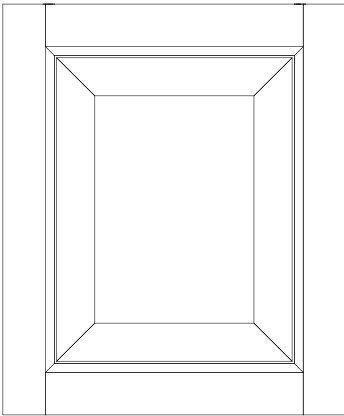
## THE DETAILS

- Built in America
- Soft-close Hinges
- Insert & Full Overlay
- Furniture Stile
- Matte Finish Paint
- Reeding & Rattan

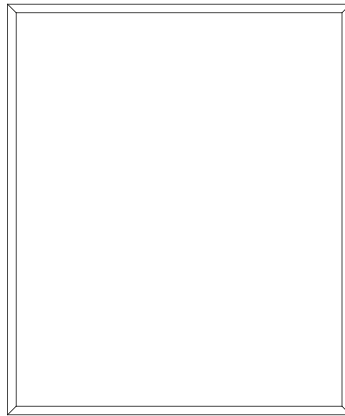


# Door Profiles

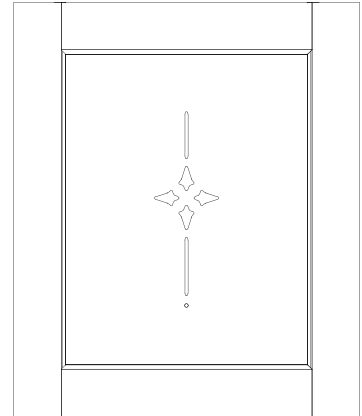
---



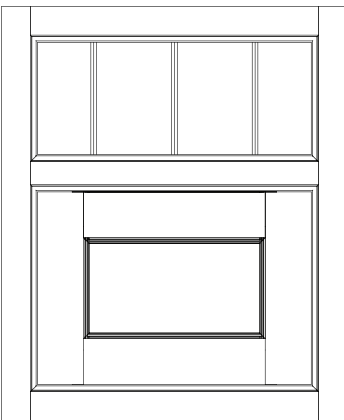
**BELLMOOR**



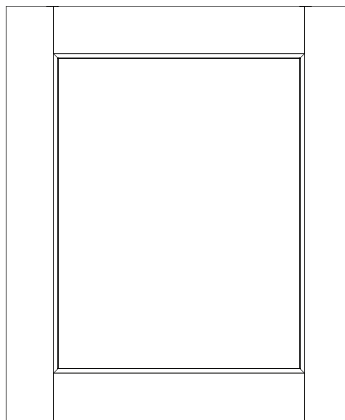
**CAPE**



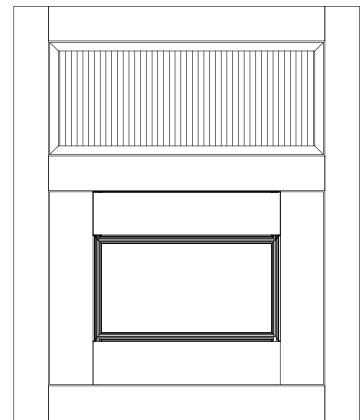
**FENWICK**



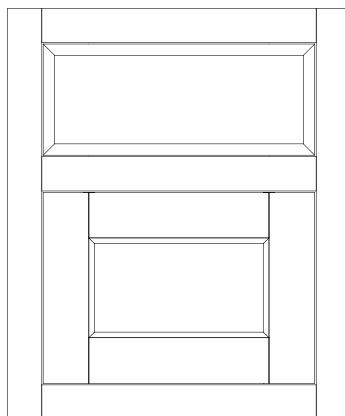
**PORTSIDE**



**SPRING LAKE**



**STOCKLEY**



**TALBOT**

*\*Available with rattan insert.*

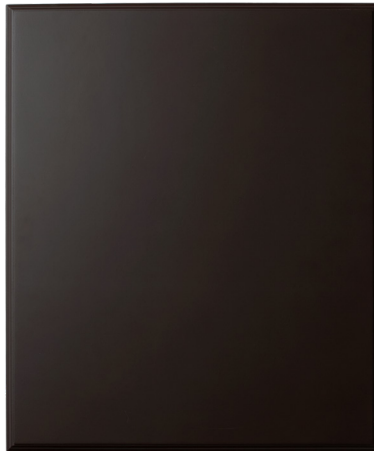


# Door Samples

---



BELLMOOR



CAPE



FENWICK



PORTSIDE



SPRING LAKE



STOCKLEY



TALBOT

*\*Available with rattan insert.*

# Finishes

---

## Color Options



OYSTER



DUNE



PINE BAY



HENLOPEN



SHELL



SUSSEX



TIDEWATERS



SHUTTER GREEN



RIPTIDE

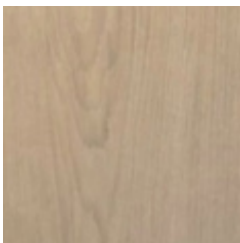


BLACKPOOL



JETTY

## Stain Options



CHESAPEAKE



HINCKLEY



SAND



STORM



# The Process



## MEASURE YOUR SPACE

\*See downloadable Measuring Guide on following page. Scan and email layout to [info@uniquekitchensandbaths.com](mailto:info@uniquekitchensandbaths.com).



## CUSTOM DESIGN BEGINS

Once existing layout is reviewed, a design fee will be proposed at which time you can decide to proceed.



## DESIGN PACKET APPROVAL

Once design approval is achieved, an invoice will be sent and is due in full. We will send a sign-off packet. Your sign-off packet will include the plan and elevation list. Once order is placed, your design fee will be credited to your order.



## DELIVERY TIME

Payment must be received in full before production can commence. Please allow up to 10 weeks for delivery. Delivery available across the continental USA.

**PLEASE NOTE:** *We are not responsible in any way for measurements you provide. We recommend you have your designer or installer verify all measurements carefully. If you are not working with a designer, please contact UKB about our referring designer list.*

# Steps To Measure Your Space

---

1

## STEP ONE: YOUR KITCHEN SHAPE

Draw your kitchen as a box showing all walls and openings. Make sure to mark all openings with labels (*i.e. door, window, etc.*).

2

## STEP TWO: MEASURING

Go from edge to edge with a tape measure and mark everything. This includes wall lengths, opening lengths, ceiling heights and appliances spaces.

3

## STEP THREE: YOUR LAYOUT

If you have an idea or change you want to make, let us know! Feel free to draw your ideas of what you would like to include in your new kitchen.

4

## STEP FOUR: APPLIANCES

Make note of the sizes and specs of any appliances you have or plan on purchasing for your new kitchen.





# Measuring Guide

---

NAME: -----

DOOR STYLE: -----

EMAIL: -----

FINISH COLOR: -----

PHONE: -----

WHO CAN WE THANK FOR YOUR REFERRAL? -----

A large grid of graph paper for taking measurements. The grid consists of small squares, with a larger square grid pattern overlaid in the center. The grid is intended for drawing and measuring door dimensions.



# Questions

**PHONE** [410.247.2070](tel:410.247.2070)

**EMAIL** [INFO@UNIQUEKITCHENSANDBATHS.COM](mailto:INFO@UNIQUEKITCHENSANDBATHS.COM)

**INSTAGRAM** [@UNIQUEKITCHENSANDBATHS](https://www.instagram.com/UNIQUEKITCHENSANDBATHS)

**FACEBOOK** [UNIQUE KITCHENS AND BATHS, LLC.](https://www.facebook.com/UNIQUEKITCHENSANDBATHS)